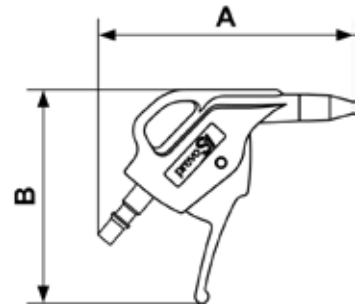


PREVOS1 BLOW GUNS - ISO 6150 C PROFILE

PREVOS1 blow gun with composite nozzle

Profile : ISO 6150C



Buse	Force of blow-molding	Flow rate at 6 bar	Max. operating pressure	Material
Straight	286 (G)	2.5 (BAR)	12	Polyamide

Part number	Flow rate at 6 bar (l/min)	Sound level (DBA)	Length (m)	Dim. A (mm)	Dim. B (mm)
CBG 06PRE	230	85	0.047	118	97